



# MICROWAVE OVEN

## INSTRUCTION MANUAL

ES823ETB-S00E

SAVE THESE INSTRUCTIONS CAREFULLY !



Customer centre	Carrier Midea India Private Limited 1st Floor, Pearl Tower, Plot No. 51, Sector 32, Gurgaon, Haryana 122001, INDIA
Contact No.	180030111111, 31211111
E-mail	customersupport.india@carrier.utc.com
Website	www.carriermideaindia.com

Read these instructions carefully before using your microwave oven, and keep it carefully. If you follow the instructions, your oven will provide you with many years of good service.

# PRECAUTIONS TO AVOID POSSIBLE EXPOSURE TO EXCESSIVE MICROWAVE ENERGY

- (a) Do not attempt to operate this oven with the door open since this can result in harmful exposure to microwave energy. It is important not to break or tamper with the safety interlocks.
- (b) Do not place any object between the oven front face and the door or allow soil or cleaner residue to accumulate on sealing surfaces.
- (c) **WARNING:** If the door or door seals are damaged, the oven must not be operated until it has been repaired by a competent person.

## ADDENDUM

If the apparatus is not maintained in a good state of cleanliness, its surface could be degraded and affect the lifespan of the apparatus and lead to a dangerous situation.

## Specifications

Model:	ES823ETB-S00E
Rated Voltage:	230V~50Hz
Rated Input Power(Microwave):	1300W
Rated Output Power(Microwave):	800W
Rated Input Power(Grill):	1200W
Rated Input Power(Convection):	1200W
Oven Capacity:	23L
Turntable Diameter:	Ø 270mm
External Dimensions(LxWxH):	485mmX405mmX292mm
Net Weight:	Approx. 14.23 kg

# IMPORTANT SAFETY INSTRUCTIONS

## WARNING

To reduce the risk of fire, electric shock, injury to persons or exposure to excessive microwave oven energy when using your appliance, follow basic precautions, including the following:

1. Warning : Liquids and other foods must not be heated in sealed containers since they are liable to explode.
2. Warning : It is hazardous for anyone other than a competent person to carry out any service or repair operation that involves the removal of a cover which gives protection against exposure to microwave energy.
3. This appliance can be used by children aged from 8 years and above and persons with reduced physical, sensory or mental capabilities or lack of experience and knowledge if they have been given supervision or instruction concerning use of the appliance in a safe way and understand the hazards involved. Children shall not play with the appliance. Cleaning and user maintenance shall not be made by children unless they are older than 8 and supervised.
4. Keep the appliance and its cord out of reach of children less than 8 years.
5. Only use utensils suitable for use in microwave ovens.
6. The oven should be cleaned regularly and any food deposits should be removed.
7. Read and follow the specific: "PRECAUTIONS TO AVOID POSSIBLE EXPOSURE TO EXCESSIVE MICROWAVE ENERGY".
8. When heating food in plastic or paper containers, keep an eye on the oven due to the possibility of ignition.
9. If smoke is emitted, switch off or unplug the appliance and keep the door closed in order to stifle any flames.
10. Do not overcook food.
11. Do not use the oven cavity for storage purposes. Do not store items, such as bread, cookies, etc. inside the oven.
12. Remove wire twist-ties and metal handles from paper or plastic containers/bags before placing them in the oven.
13. Install or locate this oven only in accordance with the installation instructions provided.
14. Eggs in the shell and whole hard-boiled eggs should not be heated in microwave ovens since they may explode, even after microwave heating has ended.
15. This appliance is intended to be used in household and similar applications such as:
  - staff kitchen areas in shops, offices and other working environments;
  - by clients in hotels, motels and other residential type environments;
  - farm houses;
  - bed and breakfast type environments.
16. If the supply cord is damaged, it must be replaced by the manufacturer, its service agent or similarly qualified persons in order to avoid a hazard.
17. Do not store or use this appliance outdoors.
18. Do not use this oven near water, in a wet basement or near a swimming pool.
19. The temperature of accessible surfaces may be high when the appliance is operating. The surfaces are liable to get hot during use. Keep cord away from heated surface, and do not cover any events on the oven.
20. Do not let cord hang over edge of table or counter.
21. Failure to maintain the oven in a clean condition could lead to deterioration of the surface that could adversely affect the life of the appliance and possibly result in a hazardous situation.
22. The contents of feeding bottles and baby food jars shall be stirred or shaken and the temperature checked before consumption, in order to avoid burns.

23. Microwave heating of beverages can result in delayed eruptive boiling, therefore care must be taken when handling the container.
24. The appliance is not intended for use by persons (including children) with reduced physical, sensory or mental capabilities, or lack of experience and knowledge, unless they have been given supervision or instruction concerning use of the appliance by a person responsible for their safety.
25. Children should be supervised to ensure that they do not play with the appliance.
26. The appliances are not intended to be operated by means of an external timer or separate remote-control system.
27. Accessible parts may become hot during use. Young children should be kept away.
28. Steam cleaner is not to be used.
29. During use the appliance becomes hot. Care should be taken to avoid touching heating elements inside the oven.
30. Only use the temperature probe recommended for this oven. (for ovens provided with a facility to use a temperature-sensing probe.)
31. **WARNING:** The appliance and its accessible parts become hot during use. Care should be taken to avoid touching heating elements. Children less than 8 years of age shall be kept away unless continuously supervised.
32. The microwave oven must be operated with the decorative door open. (for ovens with a decorative door.)
33. The rear surface of appliance shall be placed against a wall.
34. The microwave oven shall not be placed in a cabinet unless it has been tested in a cabinet.

**READ CAREFULLY AND KEEP FOR FUTURE REFERENCE**

# To Reduce the Risk of Injury to Persons

## Grounding Installation

### DANGER

#### Electric Shock Hazard

Touching some of the internal components can cause serious personal injury or death.

Do not disassemble this appliance.

### WARNING

#### Electric Shock Hazard

Improper use of the grounding can result in electric shock. Do not plug into an outlet until appliance is properly installed and grounded.

This appliance must be grounded. In the event of an electrical short circuit, grounding reduces the risk of electric shock by providing an escape wire for the electric current. This appliance is equipped with a cord having a grounding wire with a grounding plug. The plug must be plugged into an outlet that is properly installed and grounded.

Consult a qualified electrician or serviceman if the grounding instructions are not completely understood or if doubt exists as to whether the appliance is properly grounded. If it is necessary to use an extension cord, use only a 3-wire extension cord.

1. A short power-supply cord is provided to reduce the risks resulting from becoming entangled in or tripping over a longer cord.
2. If a long cord set or extension cord is used:

- 1)The marked electrical rating of the cord set or extension cord should be at least as great as the electrical rating of the appliance.

- 2)The extension cord must be a grounding-type 3-wire cord.

- 3)The long cord should be arranged so that it will not drape over the counter top or tabletop where it can be pulled on by children or tripped over unintentionally.

### CLEANING

Be sure to unplug the appliance from the power supply.

1. Clean the cavity of the oven after using with a slightly damp cloth.
2. Clean the accessories in the usual way in soapy water.
3. The door frame and seal and neighbouring parts must be cleaned carefully with a damp cloth when they are dirty.
4. Do not use harsh abrasive cleaners or sharp metal scrapers to clean the oven door glass since they can scratch the surface, which may result in shattering of the glass.
5. Cleaning Tip---For easier cleaning of the cavity walls that the food cooked can touch:  
Place half a lemon in a bowl, add 300ml (1/2 pint) water and heat on 100% microwave power for 10 minutes.  
Wipe the oven clean using a soft, dry cloth.

# UTENSILS

See the instructions on "Materials you can use in microwave oven or to be avoided in microwave oven."

There may be certain non-metallic utensils that are not safe to use for microwaving. If in doubt, you can test the utensil in question following the procedure below.

## CAUTION

### Personal Injury Hazard

It is hazardous for anyone other than a competent person to carry out any service or repair operation that involves the removal of a cover which gives protection against exposure to microwave energy.

### Utensil Test:

1. Fill a microwave-safe container with 1 cup of cold water (250ml) along with the utensil in question.
2. Cook on maximum power for 1 minute.
3. Carefully feel the utensil. If the empty utensil is warm, do not use it for microwave cooking.
4. Do not exceed 1 minute cooking time.

## Materials you can use in microwave oven

Utensils	Remarks
Aluminum foil	Shielding only. Small smooth pieces can be used to cover thin parts of meat or poultry to prevent overcooking. Arcing can occur if foil is too close to oven walls. The foil should be at least 1 inch (2.5cm) away from oven walls.
Browning dish	Follow manufacturer's instructions. The bottom of browning dish must be at least 3/16 inch (5mm) above the turntable. Incorrect usage may cause the turntable to break.
Dinnerware	Microwave-safe only. Follow manufacturer's instructions. Do not use cracked or chipped dishes.
Glass jars	Always remove lid. Use only to heat food until just warm. Most glass jars are not heat resistant and may break.
Glassware	Heat-resistant oven glassware only. Make sure there is no metallic trim. Do not use cracked or chipped dishes.
Oven cooking bags	Follow manufacturer's instructions. Do not close with metal tie. Make slits to allow steam to escape.
Paper plates and cups	Use for short-term cooking/warming only. Do not leave oven unattended while cooking.
Paper towels	Use to cover food for reheating and absorbing fat. Use with supervision for a short-term cooking only.
Parchment paper	Use as a cover to prevent splattering or a wrap for steaming.
Plastic	Microwave-safe only. Follow the manufacturer's instructions. Should be labeled "Microwave Safe". Some plastic containers soften, as the food inside gets hot. "Boiling bags" and tightly closed plastic bags should be slit, pierced or vented as directed by package.
Plastic wrap	Microwave-safe only. Use to cover food during cooking to retain moisture. Do not allow plastic wrap to touch food.
Thermometers	Microwave-safe only (meat and candy thermometers).
Wax paper	Use as a cover to prevent splattering and retain moisture.

## Materials to be avoided in microwave oven

Utensils	Remarks
Aluminum tray	May cause arcing. Transfer food into microwave-safe dish.
Food carton with metal handle	May cause arcing. Transfer food into microwave-safe dish.
Metal or metal-trimmed utensils	Metal shields the food from microwave energy. Metal trim may cause arcing.
Metal twist ties	May cause arcing and could cause a fire in the oven.
Paper bags	May cause a fire in the oven.
Plastic foam	Plastic foam may melt or contaminate the liquid inside when exposed to high temperature.
Wood	Wood will dry out when used in the microwave oven and may split or crack.

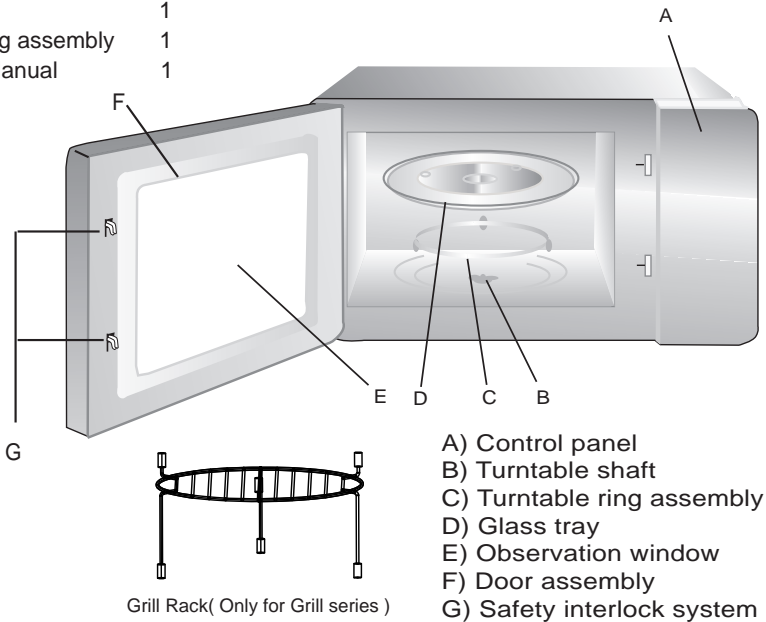
## SETTING UP YOUR OVEN

### Names of Oven Parts and Accessories

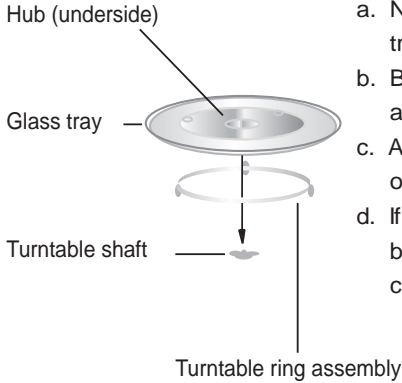
Remove the oven and all materials from the carton and oven cavity.

Your oven comes with the following accessories:

Glass tray	1
Turntable ring assembly	1
Instruction Manual	1



## Turntable Installation



- Never place the glass tray upside down. The glass tray should never be restricted.
- Both glass tray and turntable ring assembly must always be used during cooking.
- All food and containers of food are always placed on the glass tray for cooking.
- If glass tray or turntable ring assembly cracks or breaks, contact your nearest authorized service center.

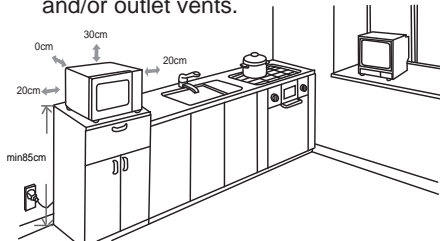
## Countertop Installation

Remove all packing material and accessories. Examine the oven for any damage such as dents or broken door. Do not install if oven is damaged.

Cabinet: Remove any protective film found on the microwave oven cabinet surface. Do not remove the light brown Mica cover that is attached to the oven cavity to protect the magnetron.

## Installation

- Select a level surface that provide enough open space for the intake and/or outlet vents.



- The minimum installation height is 85cm.
- The rear surface of appliance shall be placed against a wall. Leave a minimum clearance of 30cm above the oven, a minimum clearance of 20cm is required between the oven and any adjacent walls.
- Do not remove the legs from the bottom of the oven.

- Blocking the intake and/or outlet openings can damage the oven.
  - Place the oven as far away from radios and TV as possible. Operation of microwave oven may cause interference to your radio or TV reception.
- Plug your oven into a standard household outlet. Be sure the voltage and the frequency is the same as the voltage and the frequency on the rating label.

**WARNING:** Do not install oven over a range cooktop or other heat-producing appliance. If installed near or over a heat source, the oven could be damaged and the warranty would be void.

The accessible surface may be hot during operation.





# OPERATION INSTRUCTION

## 1. Clock Setting

When the microwave oven is electrified, the oven will display "0:00", buzzer will ring once.

The input time should be within 0:00--23:59.

Example: To set 12:12 .

- (1) Press the " CLOCK/KITCHEN TIMER " button once;
- (2) Press the number buttons of "1","2","1","2" in order.
- (3) Press " CLOCK/KITCHEN TIMER " to finish clock setting. ":" will flash, and the time will light.

Note: 1) If the clock is not set, it would not function when powered.

- 2) During the process of clock setting, if you press "Stop/CANCEL ", the oven will go back to the previous status automatically.

## 2. Microwave Cooking

Select different microwave power level and set cooking time as you wish. There are five power levels available for choosing. Keep on pressing "MICROWAVE" to choose the power.

Example: If you want to use 80% microwave power to cook for 10 minutes, you can operate the oven as the following steps.

- 1) Press "MICROWAVE" once, the oven will display "P100".

- 
- 2) Press "MICROWAVE" oncr again to choose 80% power, the oven will display "P80".

- 
- 3) Press the number buttons of "1","0","0","0" in order, the oven will display "10:00"

- 
- 4) Press "START/+30SEC." to start cooking, ":" will light.

Note: "MICROWAVE" Pad presses instructions

Presses Instructions	Display	Microwave Power
1	P100	100%
2	P 80	80%
3	P 50	50%
4	P 30	30%
5	P 10	10%

### 3. Grill Cooking

Example: If you want to use 100% to cook for 35 minutes, you can operate the oven as the following steps.

- 1) Press the "GRILL" key , the oven will display " G-1 " .

---
- 2) Press the number buttons of "3", "5", "0", "0" in order, the oven will display "35:00".

---
- 3) Press the "START/+30SEC." key to start cooking.

Note: If half the grill time passes, the oven sounds twice, and this is normal.

In order to have a better effect of grilling food, you should turn the food over, close the door, and then press "START/+30SEC." to resume cooking.

If no operation the oven will not pause and continue cooking.

### 4. Convection Cooking(With preheating function)

- 1) Press the "CONVEC." key once, the oven will display "110".  
(Press the "CONVEC." key several times to select the temperature.)

---
- 2) Press the "START/+30SEC." key to start cooking. The temperature figure will flash when reach to the temperature in advance and buzzer will ring twice to remind you to put the food into the oven.

---
- 3) Press the number buttons of "4", "0", "0", "0" in order, the oven will display "40:00".

---
- 4) Press the "START/+30SEC." key to start cooking.

### 5. Convection Cooking(Without preheating function)

- 1) Press the "CONVEC." key once, the oven will display "110".  
(Press the "CONVEC." key several times to select the temperature.)

---
- 2) Press the number buttons of "4", "0", "0", "0" in order, the oven will display "40:00".

---
- 3) Press the "START/+30SEC." key to start cooking.

Note: " CONVEC." Pad presses instructions

Presses Instructions	Display	Convection
1	110	●
2	120	●

3	130	●
4	140	●
5	150	●
6	160	●
7	170	●
8	180	●
9	190	●
10	200	●

## 6. Combination Cooking

Example: If you want to use combination to cook (C-1) for 40 minutes, you can operate the oven as per the following steps.

- 1) Press the "COMBINE" key once, the oven will display "C-1".
- 2) Press the number buttons of "4", "0", "0", "0" in order, the oven will display "40:00".
- 3) Press the "START/+30SEC." key to start cooking.

## 7. Kitchen Timer

- (1) Press "CLOCK/KITCHEN TIMER" twice, LED will display 00:00.
- (2) Press number keys "1", "0", "0", "0" in order to adjust the cooking time;  
(The maximum cooking time is 99 minutes 99 seconds.)
- (3) Press "START/+30SEC./CONFIRM" to confirm setting.
- (4) When the kitchen time is reached, the buzzer will ring 5 times.

If the clock be set(24-hour system), LED will display the current time.

Note: The kitchen Time is differ from 24-hour system, Kitchen Timer is a timer.

## 8. Defrost By time

1) Press "DEFROST" once, the oven will display "d-1".

---

2) Input the figure of the cooking time.

(the maximum cooking time is 99 minutes and 99 seconds.)

---

3) Press "START/+30SEC./CONFIRM" key to start defrosting.

## 9. Defrost By weight

1) Press "DEFROST" pad repeatedly, the oven will display "d-2", "d-3", "d-4".

---

2) Input the figure of the food weight.

(The input figure of the weight should be within 100--2000g)

---

3) Press "START/+30SEC./CONFIRM" key to start defrosting.

## 10.MEMORY

1) Press "MEMORY" key several times to set "memory 1" to "memory 3" program, and the oven will display "1", to "3".

2) Set one or two stages program you want.

Example:a) Press "DEFROST" once,the oven will display "d-1".

b) Press number keys "5", "0", "0" in order to adjust the defrost time;

c) Press "MICROWAVE" once to choose 100% microwave power;

d) Press number keys "1", "0", "0", "0" in order to adjust the cooking time;

3) Press "MEMORY" key to save the memory program setted, or press

"START/+30SEC." to start cooking and save the program automatically.

4) Next time when you want to cook with the memory program which has been set, you just only need to press "MEMORY" key to choose the program wanted and then press "START/+30SEC." to start cooking.

## 11.Multi-Stage Cooking

Two stages of cooking can be maximumly set. If one of the stages is defrosting, it should be put in the first stage, and auto menu cooking should not be set as one of the stage.

The buzzer will ring once after each stage and the next stage will begin.

Example: If you want to cook the food with 100% microwave power for 10 minutes+ 80% microwave power for 15 minutes. Do it as following:

1) Press "MICROWAVE " once to choose 100% microwave power;

---

2) Press number keys "1", "0", "0", "0" in order to adjust the cooking time;

---

3) Press ""MICROWAVE " twice to choose 80% microwave power;

---

4) Press number keys "1", "5", "0", "0" in order to adjust the cooking time;

---

5) Press "START/+30SEC. " to start cooking.

## 12. Speedy Cooking

When the oven is in the waiting states, Press "START/+30SEC./CONFIRM" key to start cooking with full microwave power for 30 seconds.(the maximum setting is 99 minutes and 99 seconds)

When the oven is in the microwave, grill or combination cooking states, Press "START/+30SEC./CONFIRM" key will add 30 seconds cooking time each time.

(Note: Defrosting by weight, Multi-stage cooking or Auto Menu state is invalidation with speed cooking function.)

## 13. Auto Menu Cooking

The numeral pads 0—9 are matching different subjects respectively;

(1) In waiting state,choose the menu you want,press "START/+30SEC." to confirm.

---

(2) Press "WEIGHT ADJ" button to choose weight.

---


(3) Press "START/+30SEC" to start cooking, and time will count down.


## 14. Inquiring Function

(1) In microwave, grill or combination cooking state, press "COMBINE", "CONVEC." or "MICROWAVE", the current power will be displayed for 2~3 seconds.

(2) In cooking state, press " CLOCK/KITCHEN TIMER "to inquire the time for cooking. The cooking time will flash for 2-3 seconds.

## 15. Lock-out Function for Children

Lock: In waiting state, press "STOP/CLEAR" for 3 seconds, there will be a long "beep" denoting entering the children-lock state and a key "  " will light.

Lock quitting: In locked state, press "STOP/CLEAR" for 3 seconds, there will be a long "beep" denoting that the lock is released and "  " will go out.

	display	menu	Weight/ display
Menu_1	A01	Avial	250g
	A02	Bhindi Masala	250g
			500g
	A03	Ghobi Masala/Baigan Masala/	250g
	A04	Baigan Masala	250g
	A05	Aalo Masala	250g
	A06	GujratiKadhi	4
	A07	Hyderabadi Chicken Masala	800g
	A08	KhoyaMatar	250g
	A09	Meat	800g
	A10	Mutton Korma	500g
	A11	Mutton Rogan Josh	1
	A12	Navratna korma	250g
A13	Mix Veg Korma	4	

	A14	PaneerMakhani	250g
	A15	PaneerPasanda	8
	A16	Paneer Masala	250g
	A17	Pumpkin Sambar	4
	A18	Veg Sambar	250g
	A19	Shukto	250g
	A20	Stuffed Capsicum	250g
			500g
	A21	Veg Kolhapuri	250g
			500g
	A22	Veg Makhanwala	250g
			500g
	A23	Vegetable	200 g
			300 g
			400 g
			500 g
	A24	Vegetables with coconut curry	250g
			500g

Menu_2	A25	Fruit Punch	200 g
	A26	Grilled Chicken Pieces	300g
			600g
	A27	Grilled Salmon/Grilled Chicken Wings/Grilled Chicken Drumsticks	250g
	A28	Grilled Chicken Wings	250g
	A29	Grilled Chicken Drumsticks	250g
	A30	Payasam	4
	A31	Tomato Rasam	4
	A32	Jacket Potato	250g
	A33	Grilled Sandwich	2
	A34	Cheese Sandwich	1



Menu_3	A35	Chicken Club Sandwich	250g
	A36	Stuffed Sandwich	250g
	A37	Veg Sandwich	250g
	A38	Nachos	250g
	A39	Pasta	250g
	A40	Macroni	250g
	A41	Cheese Pizza	300 g
	A42	Veggie Pizza	1
Menu_4	A43	GajarHalwa	250g
	A44	SevianKheer	250g
Menu_5	A45	Apple Jam/	1
	A46	Pineapple Pudding	1
	A47	Black Forest Cake	1
	A48	Cake	1
	A49	Chocolate Cookies	1

	A50	Custard Cookies	1
	A51	Fruit Cake	1
Menu_6	A52	Coconut Rice	150g
	A53	Jeera Rice	150g
	A54	Makai Ki Khichdi	250g
	A55	Masala Rice	150g
	A56	Rice Kheer	6
	A57	STEAMED RICE	200g
	A58	Boiled Rice	200g
Menu_7	A59	Tomato Rice	150g
	A60	Fish Curry	250g
			500g
	A61	Tandoori Fish	500g
	A62	Shrimps Curry	500g
A63	King Fish Vindaloo	1	

Menu_8	A64	Honey Chilli Potato	4
	A65	Fish	200 g
			300 g
			400 g
			500 g
	A66	Grilled PaneerTikka/	250g
	A67	Grilled Mushrooms	250g
	A68	Dhokla	12
	A69	Khandvi	4
	A70	Potato	230 g
			460 g
			690 g
	A71	Popcorn	50g
			100g
	A72	RawaDhokla	12
	A73	Roast Chicken	800g
1000g			
A74	Chicken Wings	8	
A75	Chicken Drumsticks	8	
A76	Stuffed Mushroom	4	

Menu_9	A77	Boiled Potato	200g
			300g
	A78	Boiled Vegetables	250g
	A79	Bread	1
	A80	Garlic Bread	1
	A81	Rice Idli	8
	A82	Ravaldli	8
	A83	Tea	1
			2
			3
	A84	Coffee	460 g
			690 g
	A85	Choco Milk	460 g
			690 g
A86	Lemon Tea	460 g	
		690 g	
A87	Oat Milk	460 g	
		690 g	
A88	Upma	150g	
A89	Uppti	8	
Menu_10	A90	reheat	150g
			250g
			350g
			450g
			600g

## Troubleshooting

<b>Normal</b>	
Microwave oven interfering TV reception	Radio and TV reception may be interfered when microwave oven operating. It is similar to the interference of small electrical appliances, like mixer, vacuum cleaner, and electric fan. It is normal.
Dim oven light	In low power microwave cooking, oven light may become dim. It is normal.
Steam accumulating on door, hot air out of vents	In cooking, steam may come out of food. Most will get out from vents. But some may accumulate on cool place like oven door. It is normal.
Oven started accidentally with no food in.	It does no damage to oven if oven operates empty for quite short time. But it should be avoided.

<b>Trouble</b>	<b>Possible Cause</b>	<b>Remedy</b>
Oven can not be started.	(1) Power cord not plugged in tightly.	Unplug. Then plug again after 10 seconds.
	(2) Fuse blowing or circuit breaker works.	Replace fuse or reset circuit breaker (repaired by professional personnel of our company)
	(3) Trouble with outlet.	Test outlet with other electrical appliances.
Oven does not heat.	(4) Door not closed well.	Close door well.
Glass turntable makes noise when microwave oven operates	(5) Dirty roller rest and oven bottom.	Refer to "Maintenance of Microwave" to clean dirty parts.



According to Waste of Electrical and Electronic Equipment (WEEE) directive, WEEE should be separately collected and treated. If at any time in future you need to dispose of this product please do NOT dispose of this product with household waste. Please send this product to WEEE collecting points where available.